

# PARTS LIST

## MX22E

### CONTENTS

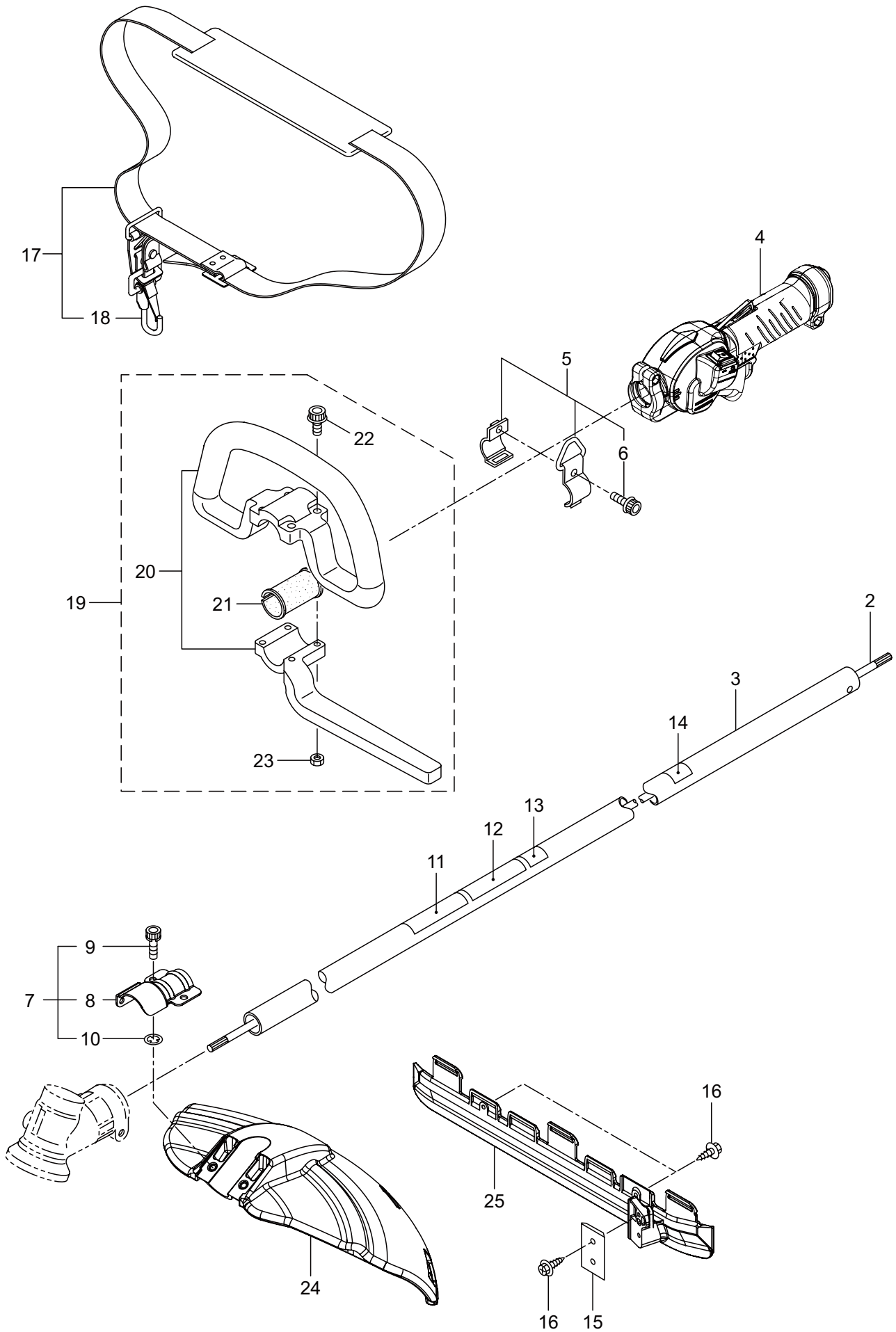
1. MAIN BODY .....	1 ~ 2
2. GEARCASE.....	3 ~ 4
3. ENGINE.....	5 ~ 8
4. RECOIL STARTER .....	9 ~ 10
5. CARBURETOR, FUEL TANK .....	11 ~ 12
6. ACCESSORIES .....	13 ~ 14

2019. 02.



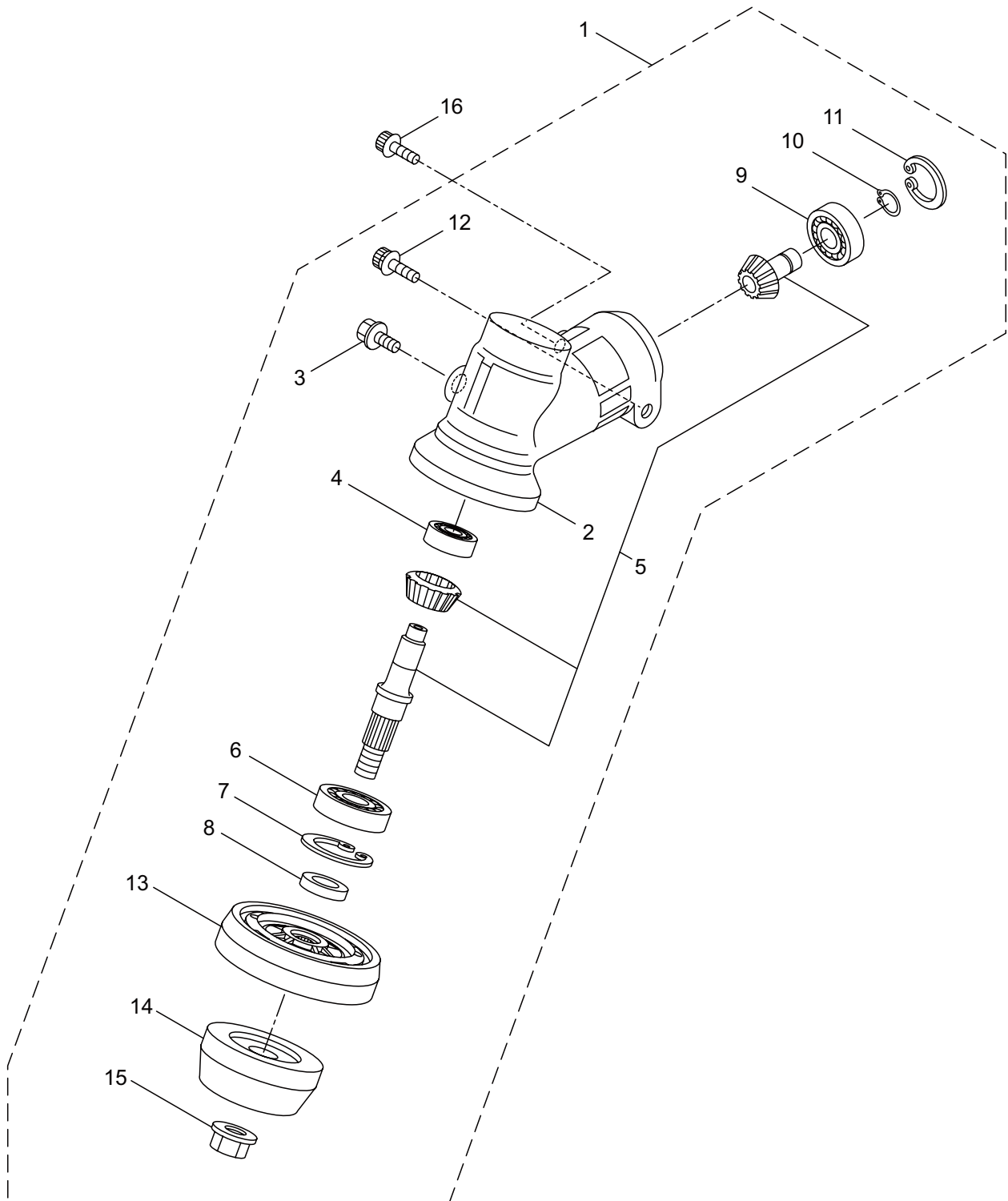
P/N 524718

1. MX22E  
MAIN BODY



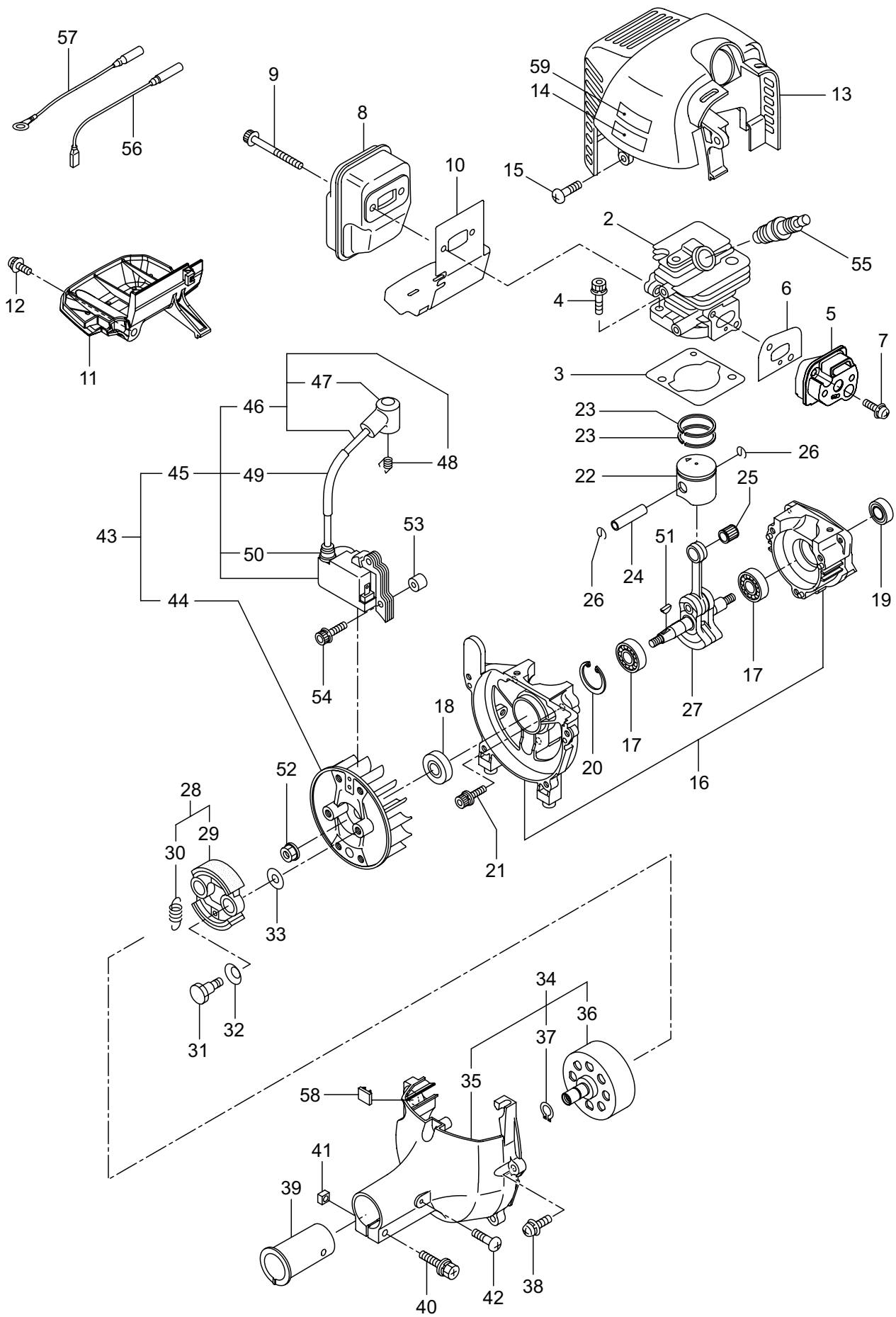
Ref. No.	Part No.	Part Name	Q'ty	Remarks
1-1	366131	MX22E	1	
1-2	560375	Driveshaft Ass'y	1	
1-3	560425	Driveshaft Tube	1	
1-4	560427	Throttle Trigger	1	
1-5	215533	Hanging Bracket Ass'y	1	Incl.6
1-6	261762	Cap Screw	1	M5x14
1-7	560409	Bracket Ass'y	1	Incl.8-10
1-8	560410	Bracket	1	
1-9	271437	Screw	2	M6x20
1-10	231704	Washer	2	6x13xt1.0
1-11	560240	Label	1	
1-12	560413	Label	1	MX22E
1-13	560246	Label	1	112dBA
1-14	215501	Label	1	
1-15	230747	String Cutter	1	
1-16	232689	Screw	3	M5x16
1-17	560229	Hanging Strap Ass'y	1	
1-18	560282	Hook	1	
1-19	560316	Loop Handle Ass'y	1	Incl.20-23
1-20	222520	Loop Handle	1	
1-21	213171	Packing	1	
1-22	215608	Cap Screw	4	M5x30x16
1-23	081027	Nut	4	M5
1-24	560420	Safety Cover	1	
1-25	234999	Cover Extension	1	

2. MX22E  
GEARCASE



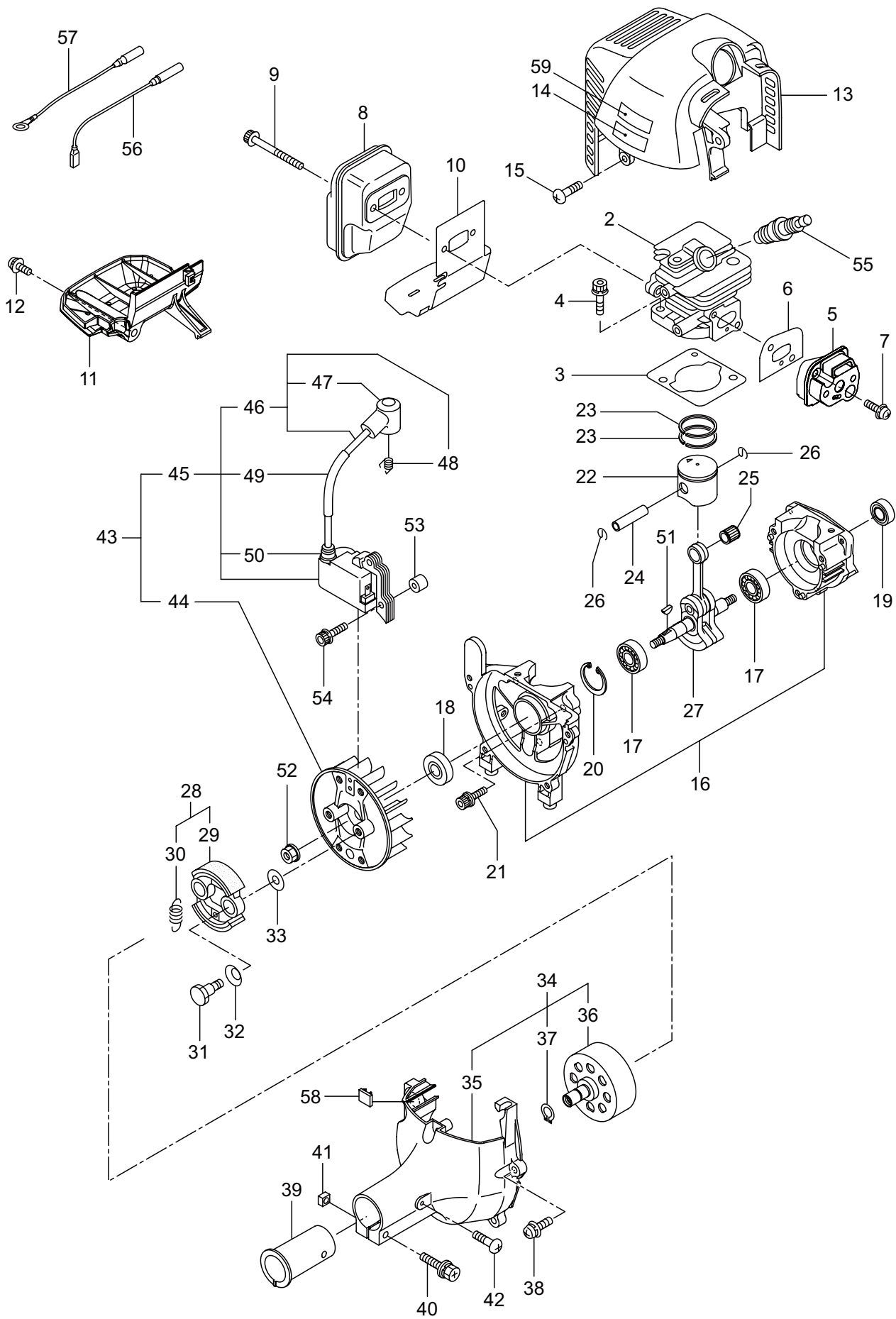
Ref. No.	Part No.	Part Name	Q'ty	Remarks
2-1	241689	Gearcase Ass'y	1	Incl.2-15
2-2	226284	Gearcase	1	
2-3	225897	Bolt	1	M6x8
2-4	226285	Bearing	1	#626
2-5	227108	Gear Set	1	
2-6	112184	Bearing	1	#6000DDU
2-7	054676	Snap Ring	1	#26
2-8	225898	Collar	1	10x16xt2.6
2-9	226286	Bearing	1	#609ZZ
2-10	228477	Snap Ring	1	#9
2-11	140270	Snap Ring	1	#24
2-12	261246	Cap Screw	1	M5x25
2-13	225891	Boss Adapter	1	
2-14	225892	Blade Boss B	1	
2-15	225893	Nut	1	M8
2-16	261233	Cap Screw	1	M5x12

### 3. MX22E ENGINE



Ref. No.	Part No.	Part Name	Q'ty	Remarks
3-1	875275	Engine	1	EE232TH/01
3-2	289639	Cylinder	1	
3-3	289643	Gasket	1	
3-4	267290	Cap Screw	2	M5x20
3-5	272744	Insulator	1	New gasket required
3-6	267049	Gasket	1	
3-7	269826	Screw	2	M5x25
3-8	278096	Muffler Comp	1	
3-9	266402	Cap Screw	2	M5x55
3-10	273262	Gasket	1	
3-11	276868	Under Cover	1	
3-12	269827	Screw	1	M5x16
3-13	563533	Top Cover Comp	1	
3-14	563608	Label	1	TOKYO JAPAN
3-15	280144	Tapping Screw	1	
3-16	273674	Crankcase	1	
3-17	280488	Bearing	2	PPL 6001
3-18	261492	Oil Seal	1	ISCD12287
3-19	261386	Oil Seal	1	ISCD12227
3-20	055185	Snap Ring	1	H28
3-21	261612	Cap Screw	3	M5x30
3-22	272204	Piston	1	
3-23	264891	Piston Ring	2	(2)required
3-24	261036	Piston Pin	1	
3-25	288520	Bearing, Needle	1	
3-26	261576	Clip,Piston	2	
3-27	274146	Crankshaft/Conn.Rod Ass'y	1	
3-28	280375	Clutch Ass'y	1	Incl.29,30
3-29	280407	Clutch Shoe	2	
3-30	264889	Spring,Clutch	1	
3-31	264505	Bolt	2	
3-32	261777	Wave Washer	2	
3-33	261189	Washer	2	6x16.5x1.2
3-34	563534	Fan Cover Ass'y	1	Incl.35-37
3-35	280506	Fan Cover	1	
3-36	289727	Clutch Drum	1	
3-37	563065	Snap Ring	1	#10
3-38	269831	Screw	4	M5x20
3-39	269991	Cushion	1	
3-40	280477	Screw	1	M5x28
3-41	269423	Nut	1	
3-42	282403	Screw	1	M4x14
3-43	563535	Magneto Ass'y	1	Incl.44-50
3-44	277797	Rotor/Fan	1	
3-45	277798	Ignition Coil Ass'y	1	Incl.46-50

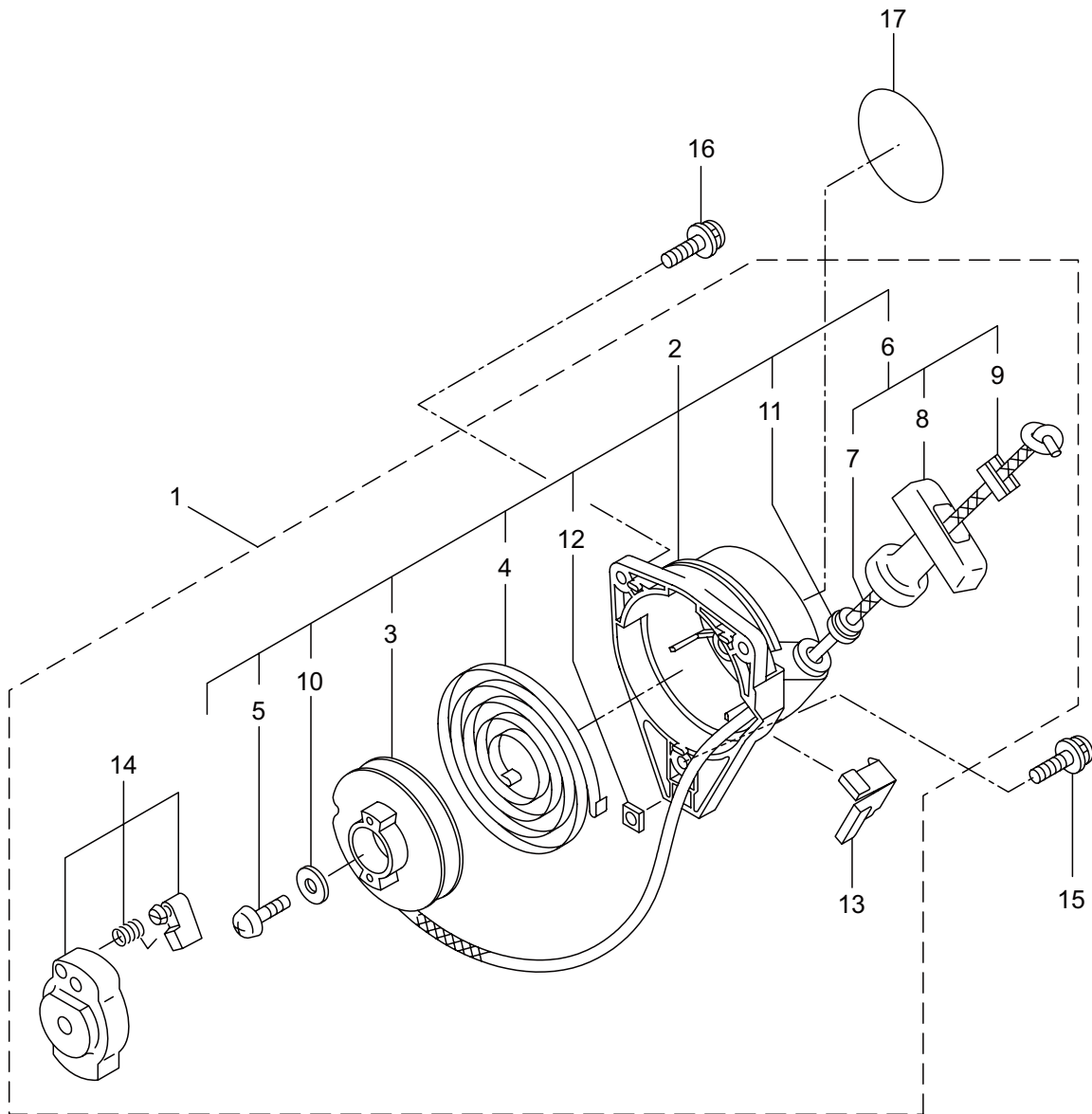
### 3. MX22E ENGINE





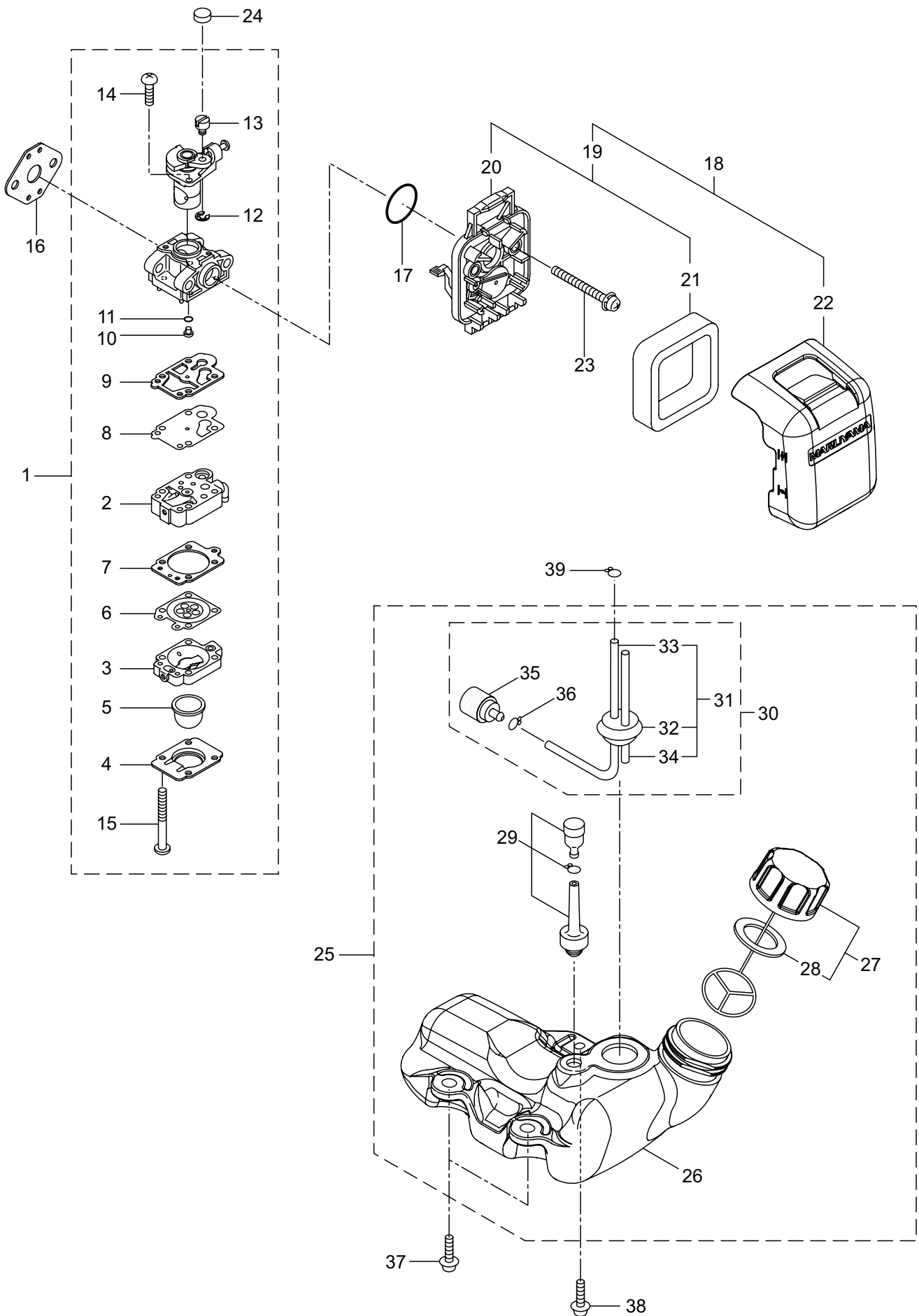
Ref. No.	Part No.	Part Name	Q'ty	Remarks
3-46	279577	Spark Plug Wire Ass'y	1	Incl.47,48
3-47	278755	Plug Cap	1	
3-48	278756	Connector	1	
3-49	278754	Insulator	1	
3-50	278752	Cap	1	
3-51	261076	Woodruff Key	1	3x10
3-52	261417	Nut,Rotor	1	M8
3-53	280381	Spacer	2	
3-54	261256	Cap Screw	2	M4x25
3-55	288264	Spark Plug	1	BPMR8Y
3-56	263804	Lead	1	
3-57	282880	Wire, Lead	1	
3-58	280670	Grommet	1	
3-59	563192	Label	1	

4. MX22E  
RECOIL STARTER



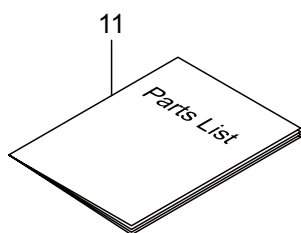
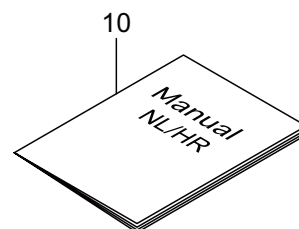
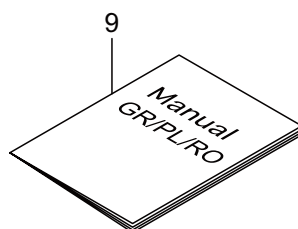
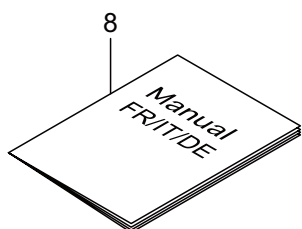
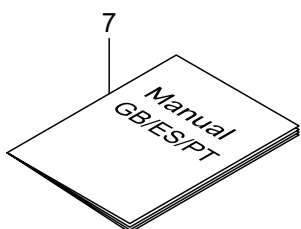
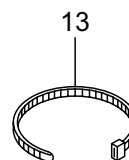
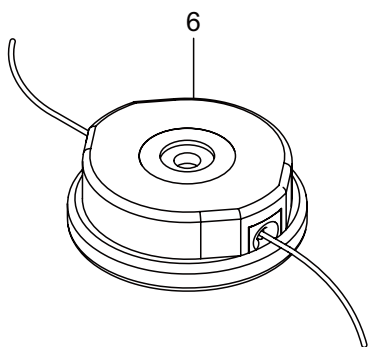
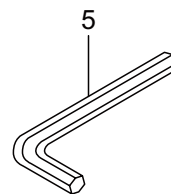
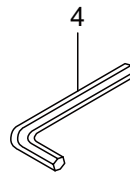
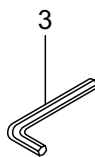
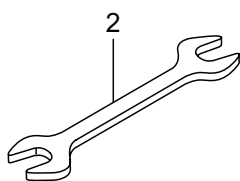
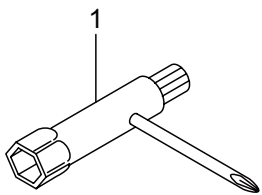
Ref. No.	Part No.	Part Name	Q'ty	Remarks
4-1	563307	Recoil Starter Ass'y	1	Incl.2-14
4-2	273093	Recoil Ass'y	1	Incl.3-13
4-3	280492	Reel	1	
4-4	287421	Spiral Spring	1	
4-5	280494	Screw	1	
4-6	280495	Starter Rope Ass'y	1	Incl.7-9
4-7	283616	Starter Rope	1	
4-8	280497	Starter Grip	1	
4-9	280550	Stopper	1	
4-10	280547	Washer	1	
4-11	280548	Collar	1	
4-12	269423	Nut	1	
4-13	288500	Plate	1	
4-14	287399	Stater Pulley Ass'y	1	
4-15	269833	Screw	1	M4x16
4-16	280489	Screw	2	M4x20
4-17	563532	Label	1	EE232

5. MX22E  
 CARBURETOR, FUEL TANK



Ref. No.	Part No.	Part Name	Q'ty	Remarks
5-1	276663	Carburetor Ass'y	1	Incl.2-15 New gasket required
5-2	274472	Pump Body	1	
5-3	262991	Purge Body	1	
5-4	262992	Cover Plate	1	
5-5	261874	Primer Bulb	1	
5-6	283905	Diaphragm, Meterring	1	
5-7	262993	Gasket	1	
5-8	262994	Diaphragm,Fuel Pump	1	
5-9	282576	Gasket	1	
5-10	289396	Main Jet	1	
5-11	261871	O-Ring	1	
5-12	261876	E-Ring	1	
5-13	261658	Swivel	1	
5-14	264682	Screw	2	
5-15	262996	Screw	4	
5-16	261864	Gasket	1	
5-17	264691	O-Ring	1	
5-18	563411	Cleaner Ass'y	1	Incl.19-22
5-19	277927	Case Body Ass'y	1	Incl.20,21
5-20	266433	Housing	1	
5-21	264695	Filter	1	
5-22	277553	Cleaner Cover	1	
5-23	269834	Screw	2	
5-24	280020	Swivel Ring	1	
5-25	563261	Fuel Tank Ass'y	1	Incl.26-36
5-26	563466	Fuel Tank	1	
5-27	275306	Fuel Tank Cap Ass'y	1	Incl.28
5-28	274875	Gasket	1	
5-29	563262	Breather Ass'y	1	
5-30	563232	Fuel Pipe Pick-up Ass'y	1	Incl.31-36
5-31	563233	Fuel Pipe Ass'y	1	Incl.32-34
5-32	288192	Grommet	1	
5-33	261690	Fuel Pipe	1	160L
5-34	288194	Return Pipe	1	3x6x85
5-35	264653	Filter Ass'y	1	
5-36	563014	Clip	1	
5-37	269828	Screw	2	M5x16
5-38	281208	Screw	1	M5x16
5-39	563014	Clip	1	

## 6. MX22E ACCESSORIES



Ref. No.	Part No.	Part Name	Q'ty	Remarks
6-1	210418	Box Spanner	1	13x19x(+)
6-2	022865	Double-ended Wrench	1	8x10
6-3	219431	Wrench	1	3mm
6-4	219432	Wrench	1	4mm
6-5	219433	Wrench	1	5mm
6-6	231202	Semi-Auto Head (L)	1	
6-7	560349	Instruction Manual	1	GB/ES/PT
6-8	560403	Instruction Manual	1	FR/IT/DE
6-9	560404	Instruction Manual	1	GR/PL/RO
6-10	560405	Instruction Manual	1	NL/HR
6-11	524718	Parts List	1	MX22E
6-12	560251	Colgate Tube	1	60L
6-13	685048	Band	1	CV-150B

	図番	名称		数量
	231202	セミオートハット (L) 4インチ	TRIMMER LINE HEAD	1
1	(242848)	ハウジング	HOUSING	1
2	(242849)	スプリング	SPRING	1
3	(242850)	ボビン	BOBBIN	1
4	(242851)	アイレット	EYELET	2
5	(242852)	カバー	COVER	1
6	(242853)	ナイロンライン	TRIMMER LINE	1
7	(242854)	トリアツカイセツメイシヨ	INSTRUCTION MANUAL	1
8	(242855)	ラベル	LABEL	1

